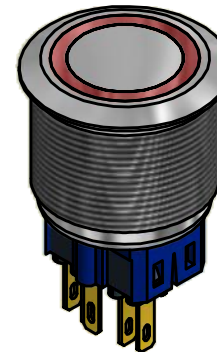
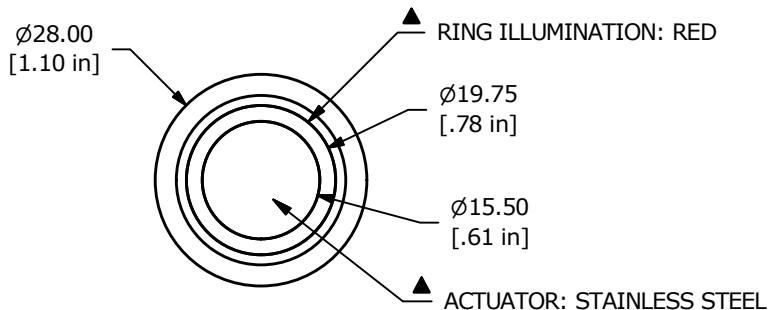
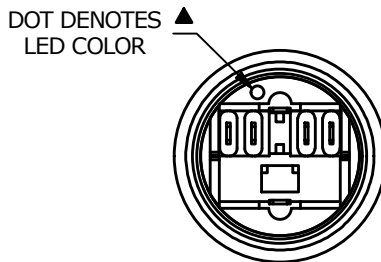
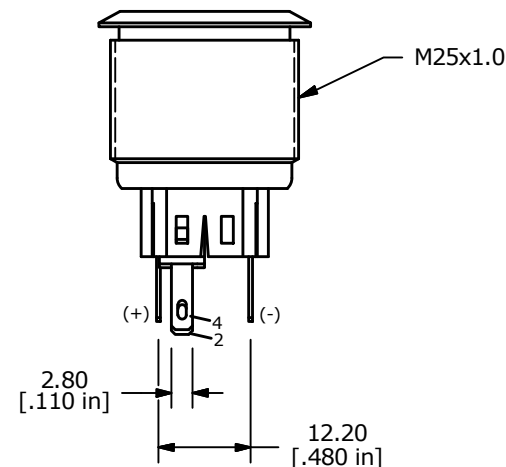
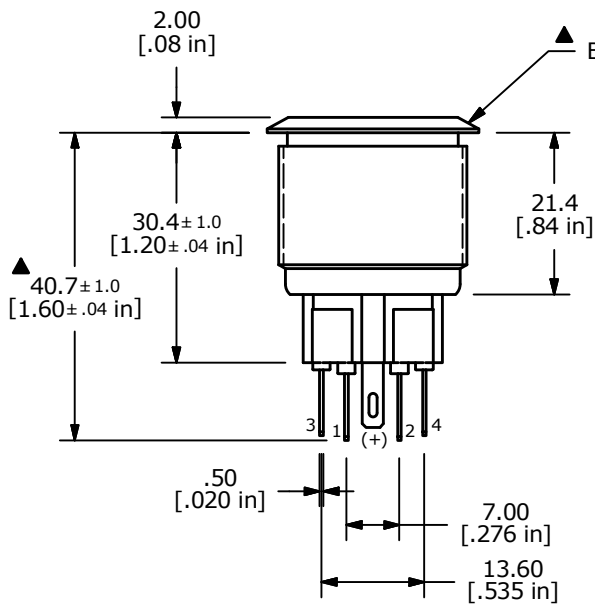
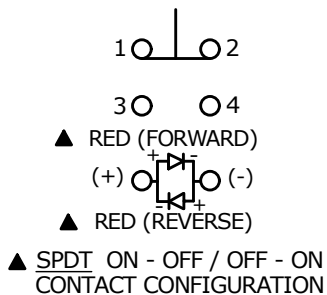


PANEL CUTOUT
MAX. PANEL THICKNESS 10mm



SWITCH FUNCTION	
POS. 1	POS. 2
1-2	3-4



- NOTE:
- ALL DIMENSIONS IN MM [INCH]
 - GENERAL TOLERANCE: X.X = ±0.4
X.XX = ±0.25
 - TERMINAL NOS. FOR REF. ONLY
 - RATING: 2A @ 48VDC
 - CONTACT RESISTANCE: 50mΩ MAX. @ 1A 12VDC
 - INSULATION RESISTANCE: 1,000MΩ @ 500VDC
 - DIELECTRIC STRENGTH: 2,000VAC MIN. FOR 1 MINUTE
 - ELECTRICAL LIFE: 50,000 CYCLES
 - OPERATING TEMPERATURE: -20°C TO 70°C
 - INGRESS PROTECTION: IP65
 - SUPPLIED HARDWARE: O-RING AND HEXNUT
 - ▲ DENOTES CRITICAL PARAMETER
 - 2002/95/EC (ROHS) COMPLIANT
 - ILLUMINATION VOLTAGE: 12V



TITLE PV8F2T0SS-314				
SCALE 1:1	DATE 9/14/2015	DR MW	DWG 52-PV8F2T0SS314	REV A

A	21984	RELEASE FOR PRODUCTION	9/14/15	MW
REV	PCR NO	DESCRIPTION	DATE	BY

THE INFORMATION CONTAINED IN THIS DOCUMENT IS PROPRIETARY TO E-SWITCH AND IS NOT TO BE COPIED OR TRANSFERRED